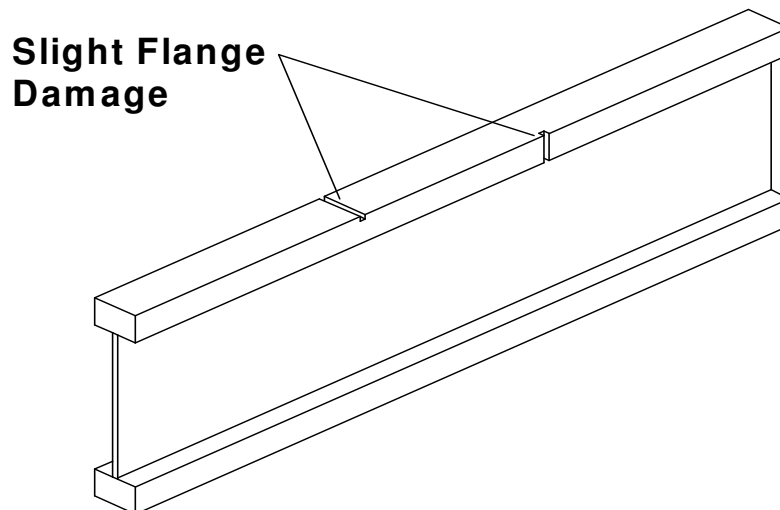




Minor Cuts / Crushing of BCI[®]/AJS[®] Flanges

Saw cuts are unfortunately a common occurrence in wood construction. Cutting or drilling of BCI/AJS joist flanges is not allowed for any condition except for birdsmouth cuts for roof joists. However, relatively small cuts or crushing (e.g.: from being banded for shipment) in the flanges does not significantly reduce the allowable design values of BCI/AJS joists. Thus, the following table shall be referenced for allowable depth cuts, holes or crushing for corresponding BCI/AJS series joists. If the intrusion is less than or equal to depth shown, no repair or reinforcement is required. As shown below, the table refers to slight damage both on the top and into the side of the flanges.

Boise Cascade I-Joist Series	Max. Allowed Depth
BCI 4500s, 5000, 5000s	1/8"
AJS 140, 150, 190, 20; BCI 60, 60s, 6000, 6000s, 6500, 6500s	3/16"
AJS 25, 30; BCI 90, 90s, 90e	1/4"



Maximum number of cuts per joist: 2
Minimum distance between cuts: 36"

If a cut or crushing exceeds the limits shown above, an engineering analysis is required.