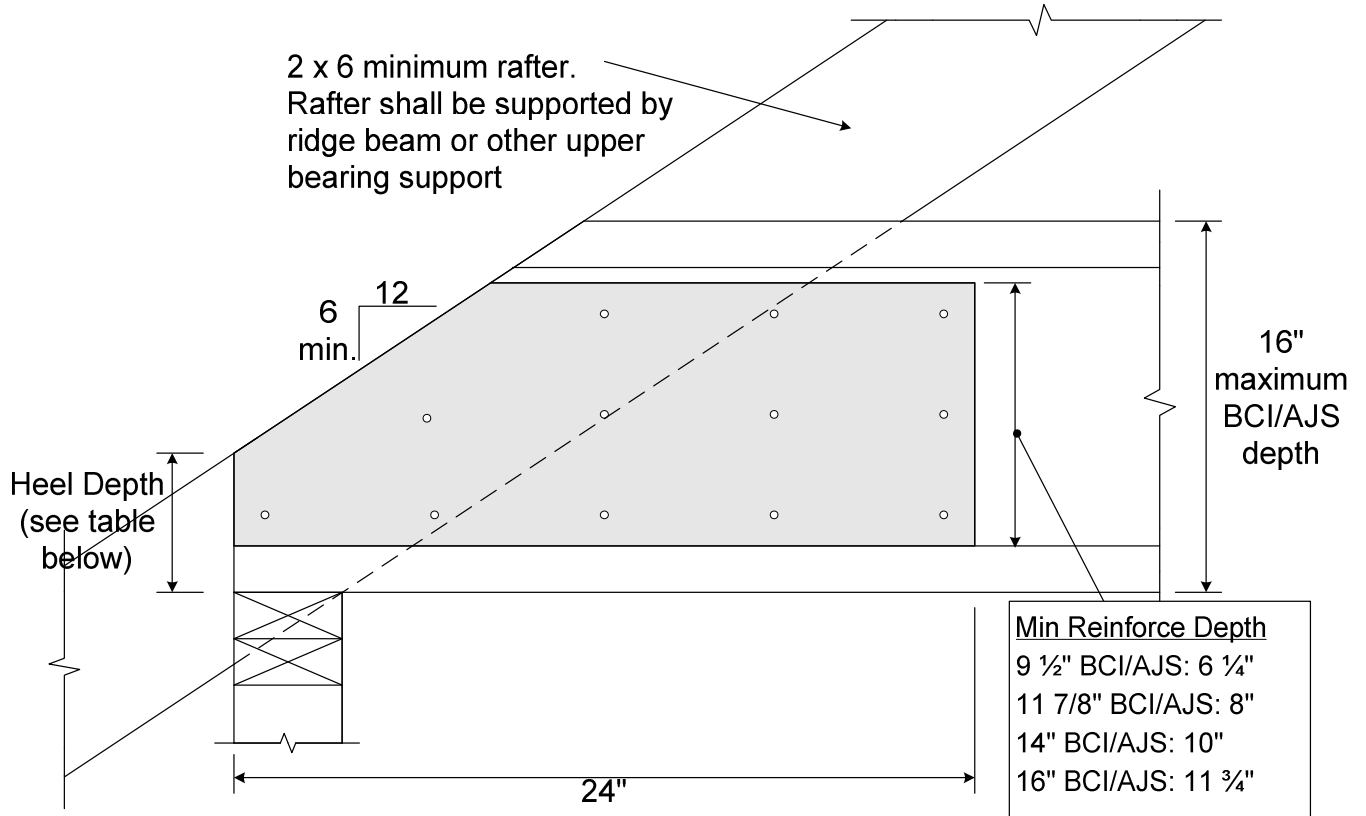




BCI® & AJS® Joist Slope-Cut Reinforcement

Detail below restores original allowable shear/reaction value to cut end of BCI/AJS joist

BCI/AJS Joist shall not be used as a collar or rafter tension tie.



2x blocking required at bearing (not shown for clarity). Min. 23/32 inch plywood/OSB rated sheathing as reinforcement. Install reinforcement with face grain horizontal. Install on both sides of the joist, tight to bottom flange. Leave minimum 1/4" gap between reinforcement and bottom of top flange. Apply construction adhesive to contact surfaces and fasten with 3 rows of min. 10d box nails at 6" o.c. Alternate nailing from each side and clinch.

Minimum Heel Depth						
End Wall Bearing	Roof Pitch					
	6/12	7/12	8/12	9/12	10/12	12/12
2 x 4	4 3/8"	4 5/16"	4 1/4"	4 1/4"	4 1/4"	4 1/4"
2 x 6	3 3/8"	3 3/16"	2 5/16"	2 3/4"	2 9/16"	2 1/4"