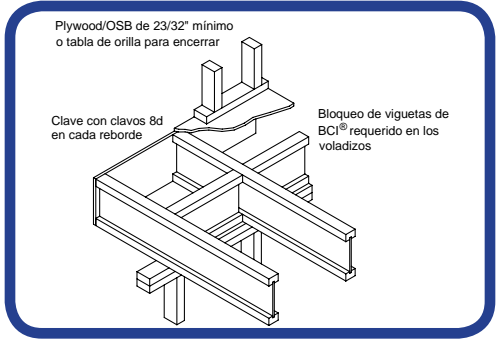


TAKE A FEW MINUTES TO GET THE FOUNDATION AND SILL PLATES RIGHT:

Boise squaring diagrams can locate foundation and sill plates with precise lineal and diagonal dimensions so they're square and accurate. It takes only a few minutes to get these dimensions correct so the home is laid out level, flat and plumb. Subcontractors will thank you throughout construction for easier installation of doors, windows, cabinets, sheetrock, and many other jobs.



CHOOSE 3-D FRAMING DETAIL DRAWINGS IN ENGLISH, SPANISH, OR BOTH:

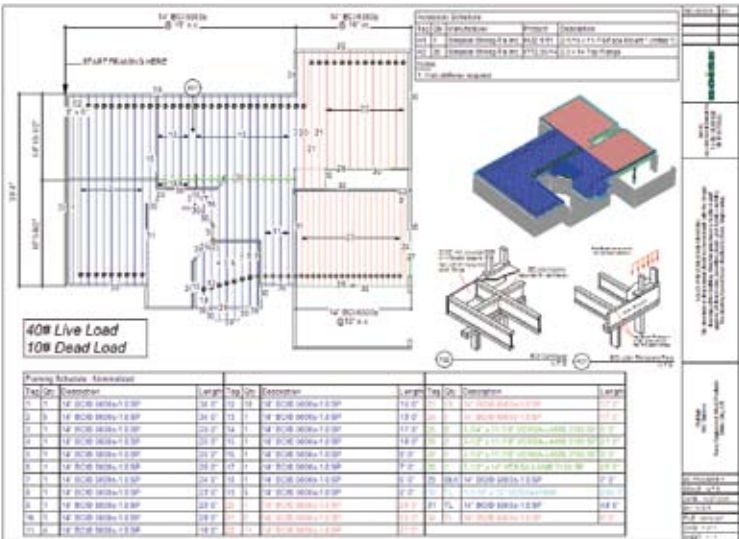
Boise EWP framing plans can include framing details for complex framing situations labeled in either English or Spanish, or both. It's one of the many Boise EWP services that help you build faster and smarter.

Accessory Schedule

Mark	Qty	Manufacturer	Product	Description
H1	1	Simpson Strong-Tie Inc.	GLTS-H-10	GLTS-H-10; Face Nail: 6 N5-4; T
H2	1	Simpson Strong-Tie Inc.	GLTV3-3-12	3-1/4 x 12 Top Flange
H3	1	Simpson Strong-Tie Inc.	H<S-H-2-1	H<S-H-2-1; Face Nail: 12 N5-4
H4	1	Simpson Strong-Tie Inc.	HU11X-BKR3T	HU11X-BKR3T; Face Nail: 22 10
H5	46	Simpson Strong-Tie Inc.	IT1-14	1-3/4 x 14 BC10 Top Flange
H6	42	Simpson Strong-Tie Inc.	IT2-06/18	2 x 18 BC10 Top Flange
H8	7	Simpson Strong-Tie Inc.	LSSU25	1-3/4 BC10 Sloped Face Mount
H9	1	Simpson Strong-Tie Inc.	MIT-1.2-1/14	1-3/4 x 14 V-Lam Top Flange
H10	54	Simpson Strong-Tie Inc.	MIT4-14	3-1/2 x 14 BC10 Top Flange

CONNECTORS AND DESIGN LOADS ARE ALL SPELLED OUT:

Connectors and design loads are spelled out right on the framing plan to simplify preparation for framing the job and to speed the process.



PREVENT FRAMING MISTAKES WITH COLOR-CODED FRAMING PLANS:

Assure your homes are built correctly with Boise EWP color-coded framing placement plans showing placement of all framing components. Large-format copies can be posted on the jobsite to eliminate guesswork and help less-skilled crews frame correctly. Inspectors who see framing plans in use by your crews will quickly see that your work is to spec.



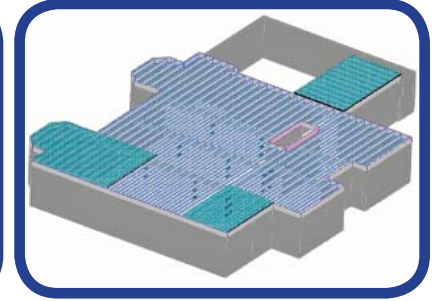
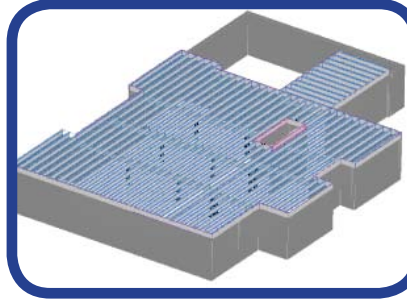


MARK PIECES BY LOCATION IN THE STRUCTURE:

Framing members can be marked and coded to the placement plan for easy reference. If your dealer has a SawTek™ system, the inkjet printer handles it automatically. This data helps crews frame fast and right.

IT'S FAST AND EASY TO MAKE CHANGES WITH BC FRAMER®:

A designer can quickly adapt the same basic floor plan to projects with different price points and options – an entry-level structure, or one that meets higher load requirements of stone or tile floors in upscale projects. Bumping a wall out 2' or adding a bedroom was never easier.



BC FRAMER IS FURNISHED BY YOUR DEALER WHEN YOU BUILD WITH BOISE EWP:

The BC Framers design process is used by your dealer to help you build more profitably and to be more competitive in your marketplace. This valuable service is provided by your Boise EWP dealer free of charge when you build with Boise Engineered Wood Products. To learn more, visit bc.com/ewp or call 800-232-0788 to discuss how Boise EWP's BC Framers and BC CALC® work together to help you build better and more profitably.

FramerCalc BC 01/2009

© 2009 Boise Building Solutions Manufacturing, L.L.C.
BOISE, BC FRAMER and BC CALC are registered trademarks of Boise Cascade, L.L.C.



Boise Cascade
Engineered Wood Products